

Typical Applications

For use in low voltage high frequency inverters, freewheeling, DC/DC converters, and polarity protection applications.

Mechanical Data

Package: DO-214AA (SMB)

Molding compound meets UL 94 V-0 flammability rating, RoHS-compliant, halogen-free

Terminals: Tin plated leads, solderable per J-STD-002 and JESD22-B102

Polarity: Cathode line denotes the cathode end

Maximum Ratings ($T_j=25$ Unless otherwise specified)

PARAMETER	SYMBOL	UNIT	SS									
			52BH	53BH	54BH	55BH	56BH	58BH	510BH	515BH	520BH	
Device marking code			SS									
Repetitive peak reverse voltage	V_{RRM}	V	20	30	40	50	60	80	100	150	200	
Average rectified output current @60Hz sine wave, resistance load, T_L (FIG.1)	I_O	A	5.0									
Surge(non-repetitive) forward current	@60Hz half-sine wave, 1 cycle, $T_j=25$	I_{FSM}	A	100								
	@1ms,square wave, 1 time, $T_j=25$			200								
Typical junction capacitance @ Measured at 1MHZ and Applied Reverse Voltage of 4.0 V D.C.	C_j	pF	250			210		140		80		
Storage temperature	T_{stg}		-55 ~+175									
Junction temperature	T_j		-55~+150				-55 ~+175					



SS52BH THRU SS520BH

Electrical Characteristics $T_j=25$ Unless otherwise specified

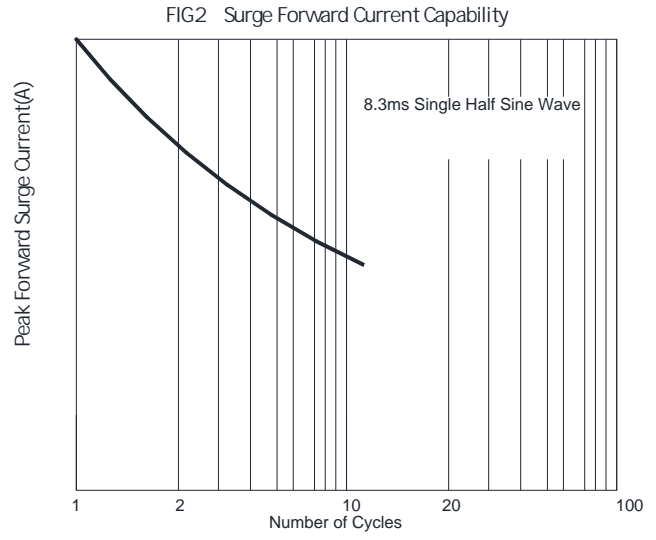
PARAMETER	SYMBOL	UNIT	TEST CONDITIONS	MIN	TYP	MAX
-----------	--------	------	-----------------	-----	-----	-----

Instantaneous



SS52BH THRU SS520BH

Characteristics(Typical)

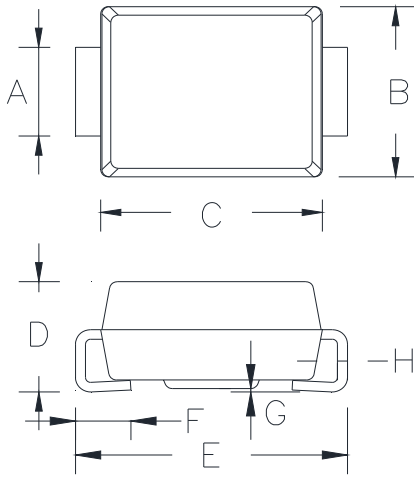




SS52BH THRU SS520BH

Outline Dimensions

DO-214AA(SMB)



DO-214AA(SMB)		
Dim	Min	Max
A	1.85	2.15
B	3.30	3.94
C	4.05	4.75
D	1.99	2.61
E	5.21	5.59
F	0.90	1.41
G	0.05	0.20
H	0.15	0.31

Suggested pad layout

DO-214AA(SMB)	
Dim	Millimeters
P1	6.8
P2	4.3
P3	1.8
Q1	2.5
Q2	2.3



SS52BH THRU SS520BH

Disclaimer

The information presented in this document is for reference only. Yangzhou Yangjie Electronic Technology Co., Ltd. reserves the right to make changes without notice for the specification of the products displayed herein to improve reliability, function or design or otherwise.

The product listed herein is designed to be used with ordinary electronic equipment or devices, and not designed to be used with equipment or devices which require high level of reliability and the malfunction of which would directly endanger human life (such as medical instruments, transportation equipment, aerospace machinery, nuclear-reactor controllers, fuel controllers and other safety devices), Yangjie or anyone on its behalf, assumes no responsibility or liability for any damage or injury caused by the use of the product.